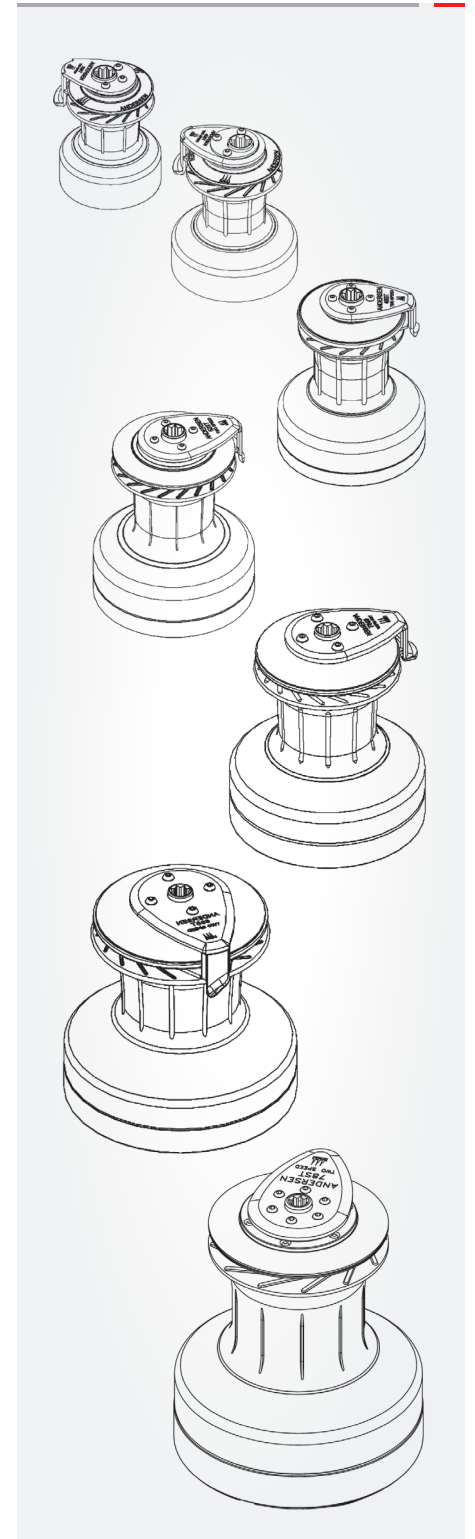


Load Capacity Guidelines

Self Tailing Winches



WINCH SIZE	RECOMMENDED MAXIMUM PULL		MAXIMUM HOLDING LOAD	
	kg	lb	kg	lb
SELF TAILING				
12ST	400	880	800	1760
18ST	500	1100	1000	2200
28ST	600	1320	1200	2640
34ST	700	1540	1200	2640
40ST	800	1760	1600	3520
46ST	1000	2200	2000	4400
50ST	1000	2200	2000	4400
52ST	1200	2640	2300	5060
58ST	1500	3300	2600	5720
62ST	1500	3300	2600	5720
68ST	2000	4400	3000	6600
72ST	2000	4400	3000	6600
78ST	3000	6600	4500	9900
110ST	4500	9900	6500	14300



Pulling force is technically measured in kN.
1000kg corresponds to ~ 9.8kN